

Specification

Specification defines the quality, effectiveness and compliance of any new build. At Showersave we aim to assist in that process because our goal has always been to simplify the challenges faced by all specifiers.

Our innovative and wonderfully simple waste water heat recovery system, will significantly impact on all elements of your building project, including the quality of the build, the delivery of cost effective living and overall regulatory compliance.

Fig.1 Side View

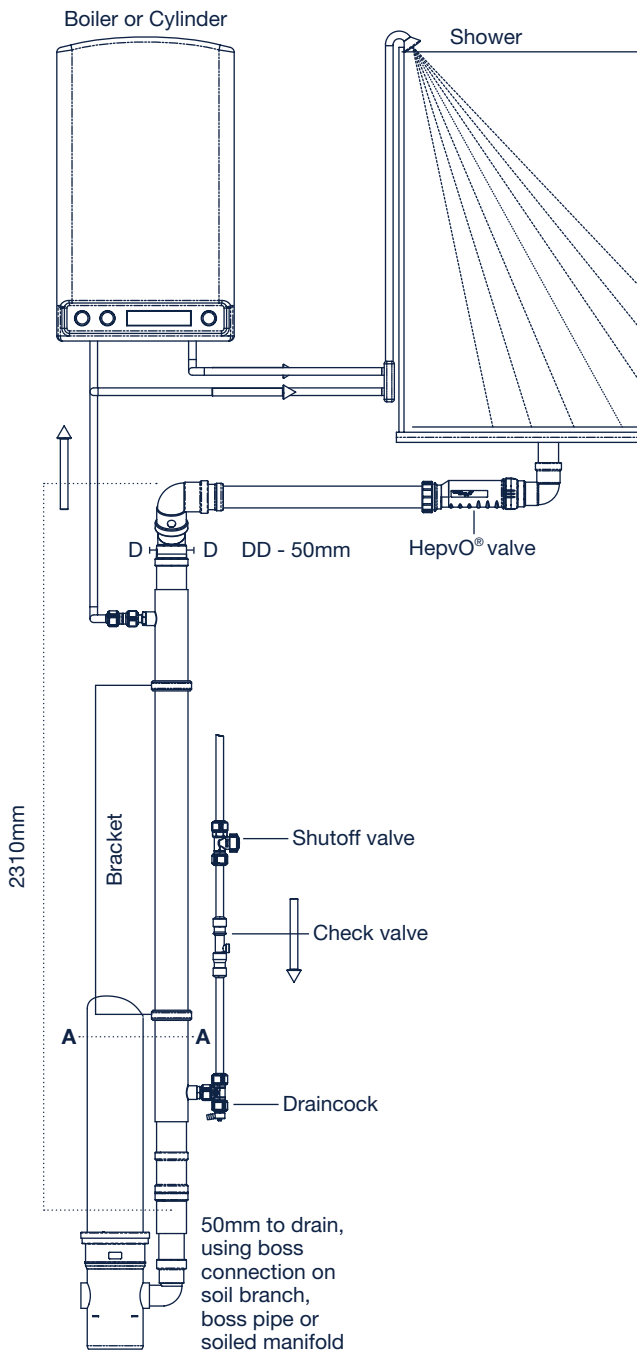
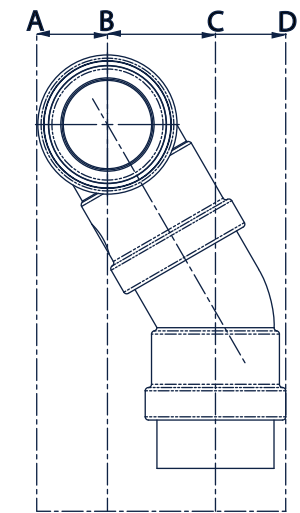
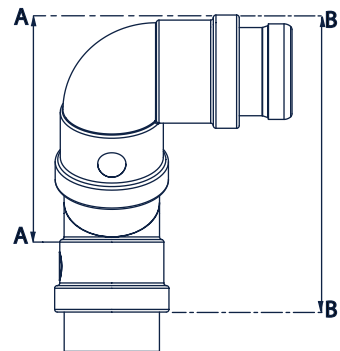


Fig.2

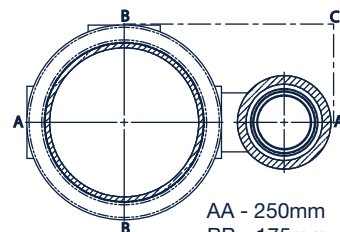


BC - 73mm
 AD - 129mm
 AC - 98mm

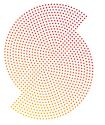


AA - 123mm
 BB - 170mm

Fig.3 Side View



AA - 250mm
 BB - 175mm
 BC - 175mm

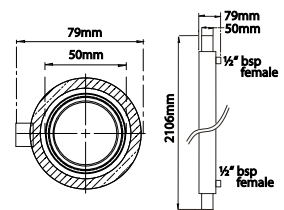


Showersave QB1-21

Heat Exchanger



Material	Part Number	Description	Material	Colours	Diameter
Q Blue	QB1-21	Heat Exchanger	Copper	-	50mm



Top Connector Rotator



Material	Part Number	Description	Material	Colours	Diameter
Wavin (can also be used as bottom connection in conjunction with 3035368)	3020600	Wafix PP Bend 88° s/s	PP	WH	50mm
Wavin	3020596	Wafix PP Bend 45° s/sp	PP	WH	50mm
Wavin	3020596	Wafix PP Bend 45° s/sp	PP	WH	50mm

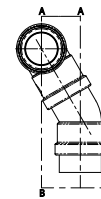
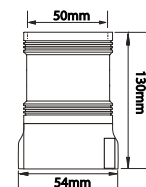


Figure 1: Complete rotator

Bottom Connection



Material	Part Number	Description	Material	Colours	Diameter
McAlpine	Z28L-ISO	Multi fit straight connector	PP/PVCU	WH	2"/50mm



Other Products



Material	Part Number	Description	Material	Colours	Diameter
		Brackets and fixing	EPDM, steel		50mm

