

Specification

Specification defines the quality, effectiveness and compliance of any new build. At Showersave we aim to assist in that process because our goal has always been to simplify the challenges faced by all specifiers.

Our innovative and wonderfully simple waste water heat recovery system, will significantly impact on all elements of your building project, including the quality of the build, the delivery of cost effective living and overall regulatory compliance.

Fig.1 Side View

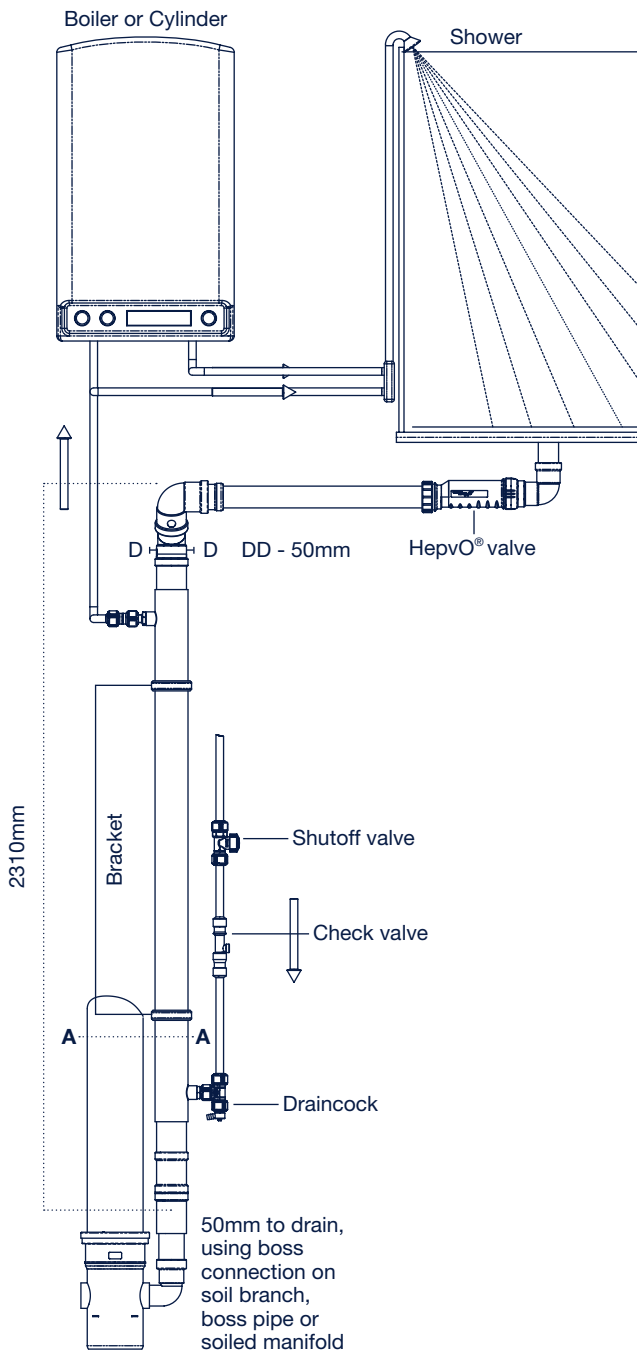
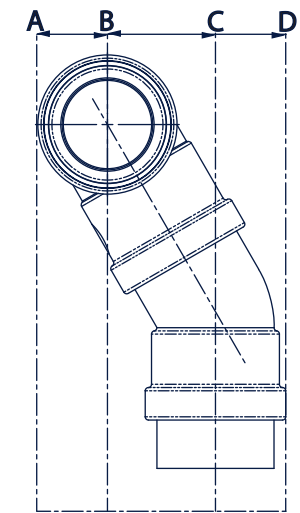
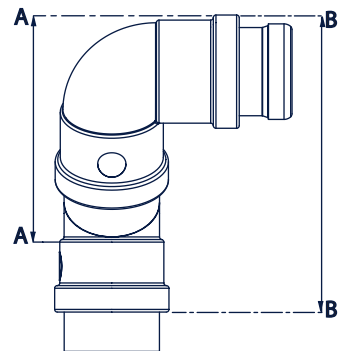


Fig.2

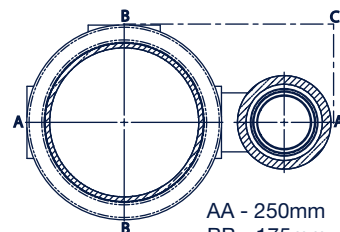


BC - 73mm
AD - 129mm
AC - 98mm

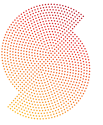


AA - 123mm
BB - 170mm

Fig.3 Side View



AA - 250mm
BB - 175mm
BC - 175mm

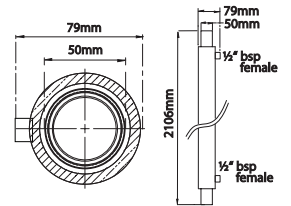


Showersave Heat Recovery Kit - SH005



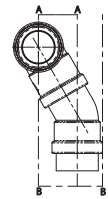
Heat Exchanger

Material.	Colours	Nom size	Pack Qty
Copper	-	50	1



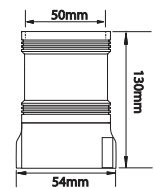
**Connection Set
Top Connector
Rotator**

Material.	Colours	Nom size	Pack Qty
PP	W	50	1



**Bottom Connector
Adapter**

Material.	Colours	Nom size	Pack Qty
PP/PVC-U	G	50	1



Bracket and Fixings

Material.	Colours	Nom size	Pack Qty
EPDM, Steel	-	50	2

